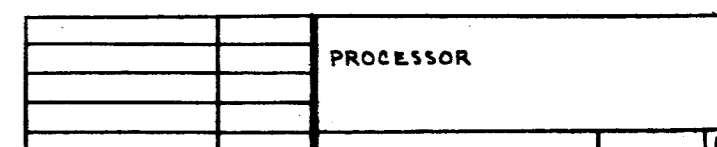
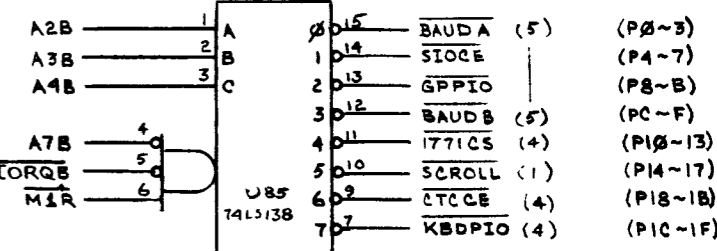
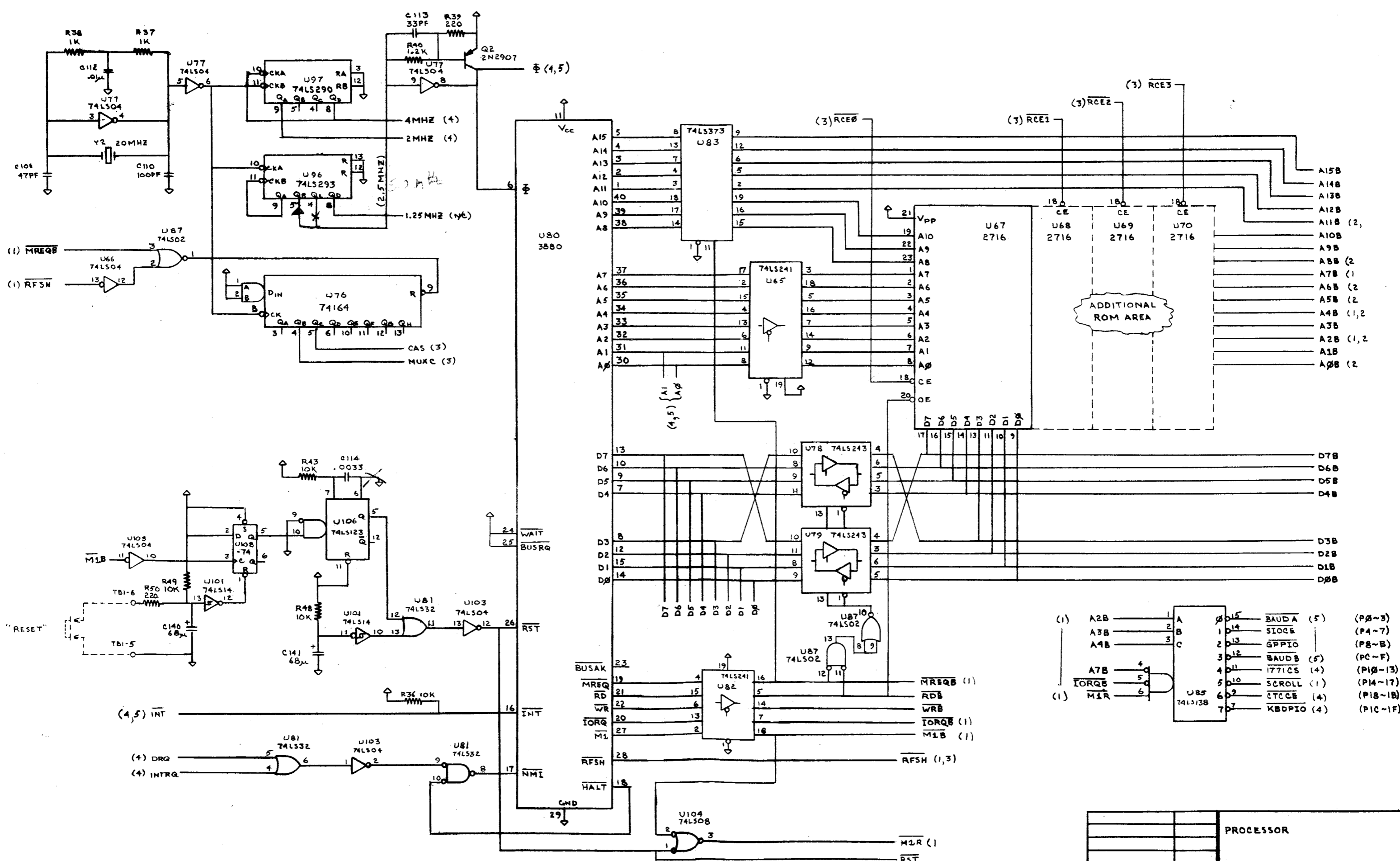
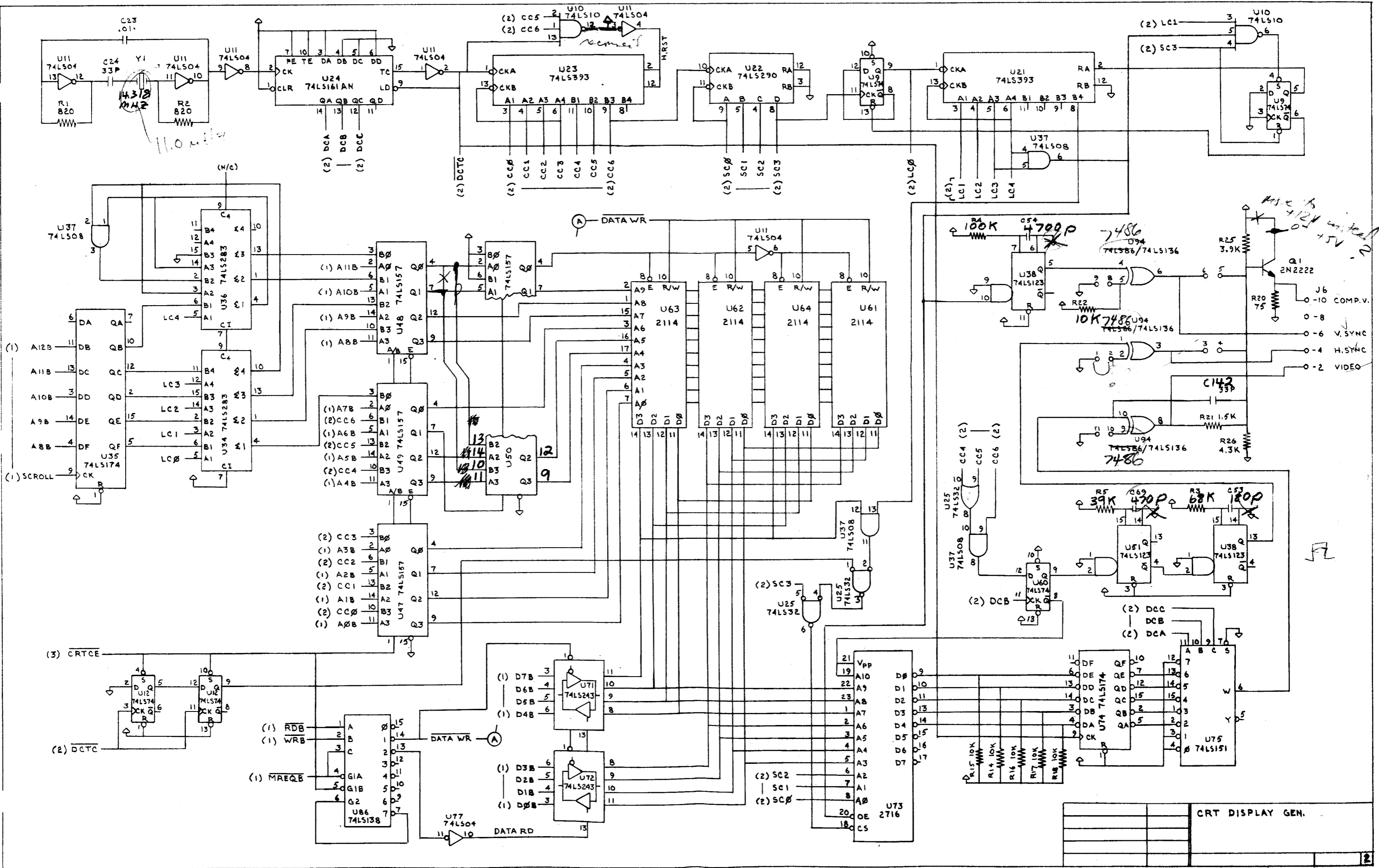


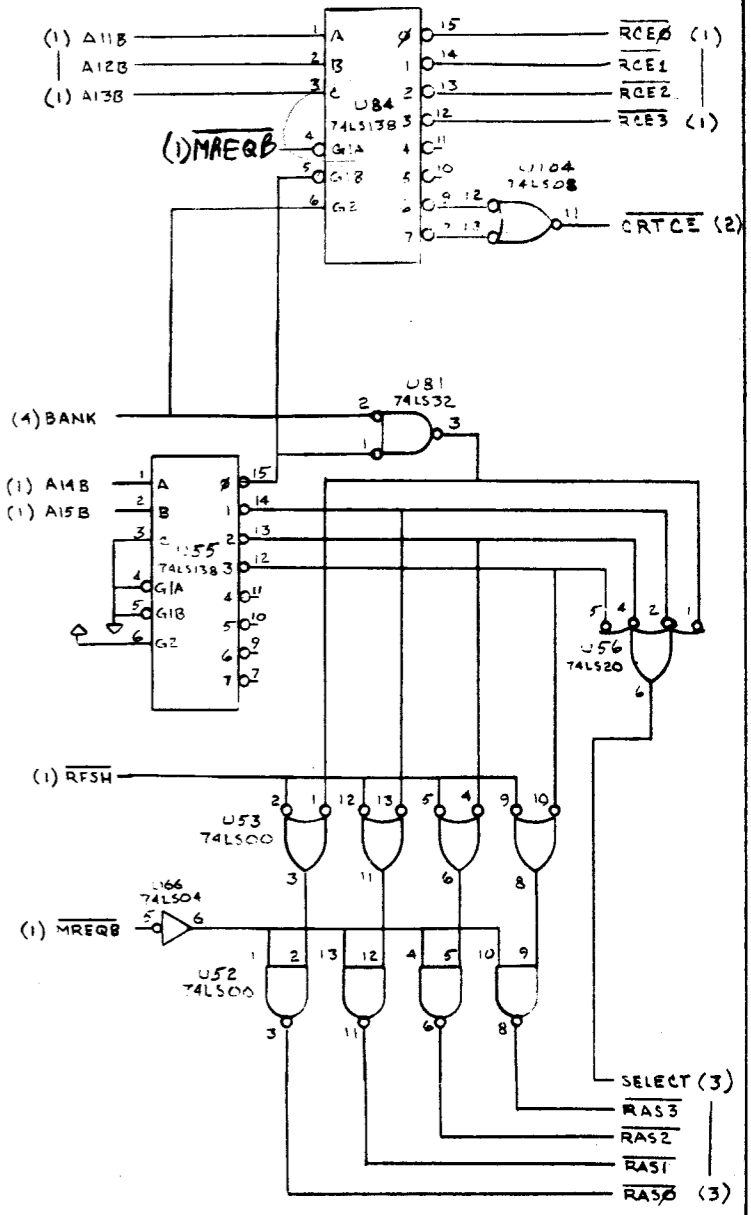
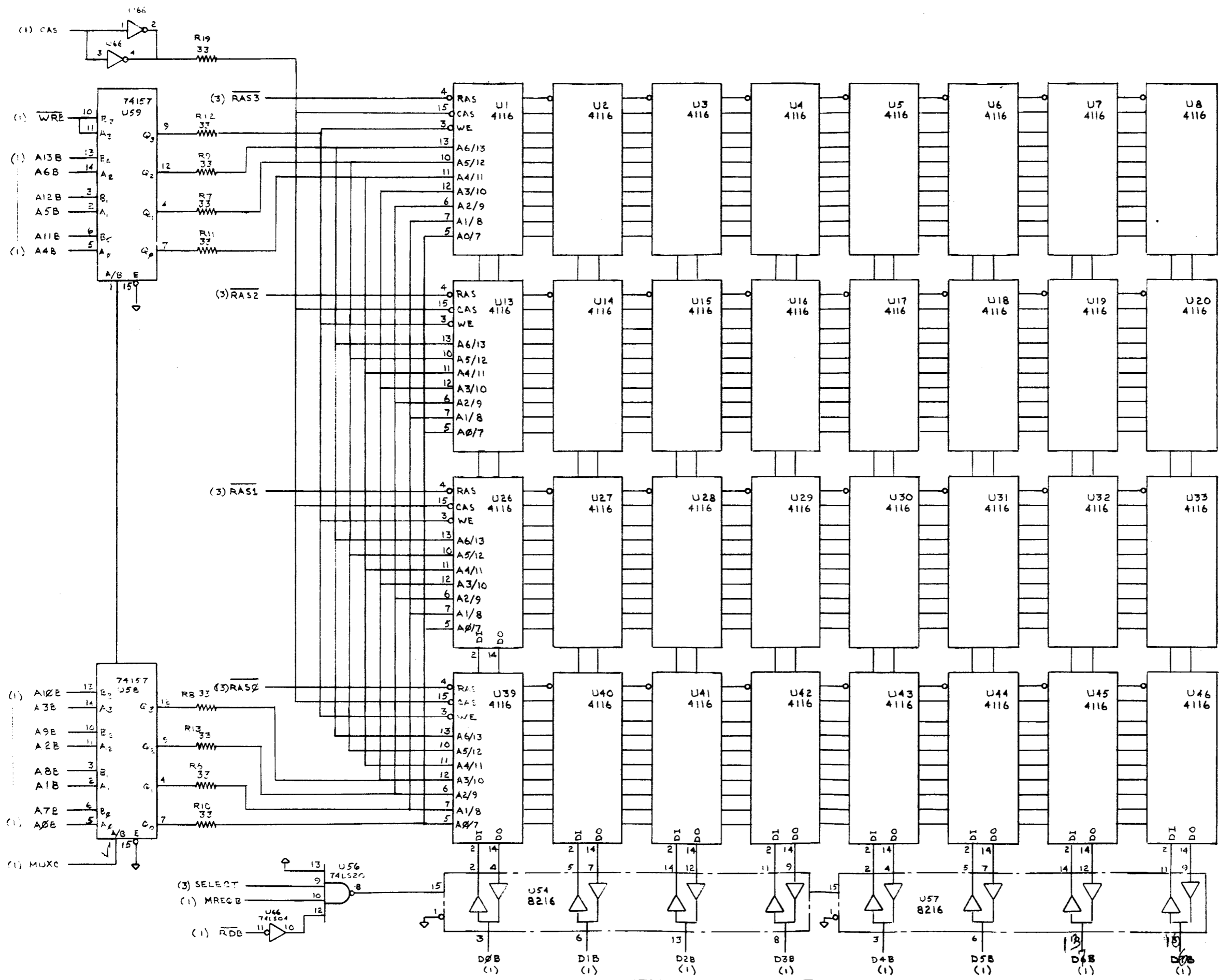
CONNECTORS:  
 J1 - FLOPPY DISK  
 J2 - KEYBOARD  
 J3 - SERIAL I/O  
 J4 - SERIAL I/O  
 J5 - PARALLEL I/O  
 J6 - VIDEO OUT

LAYOUT, CIRCUIT USAGE



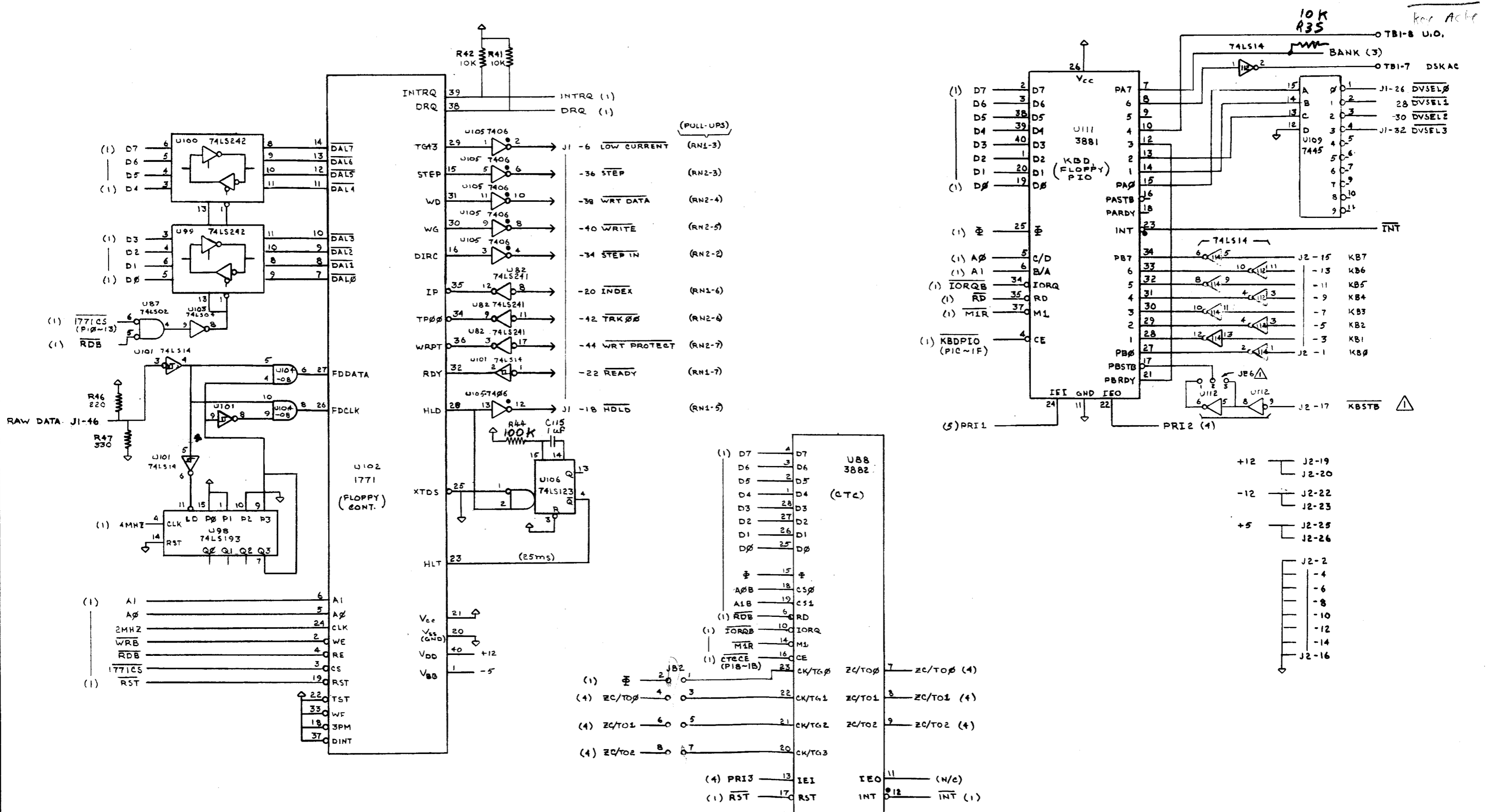


CRT DISPLAY GEN.			



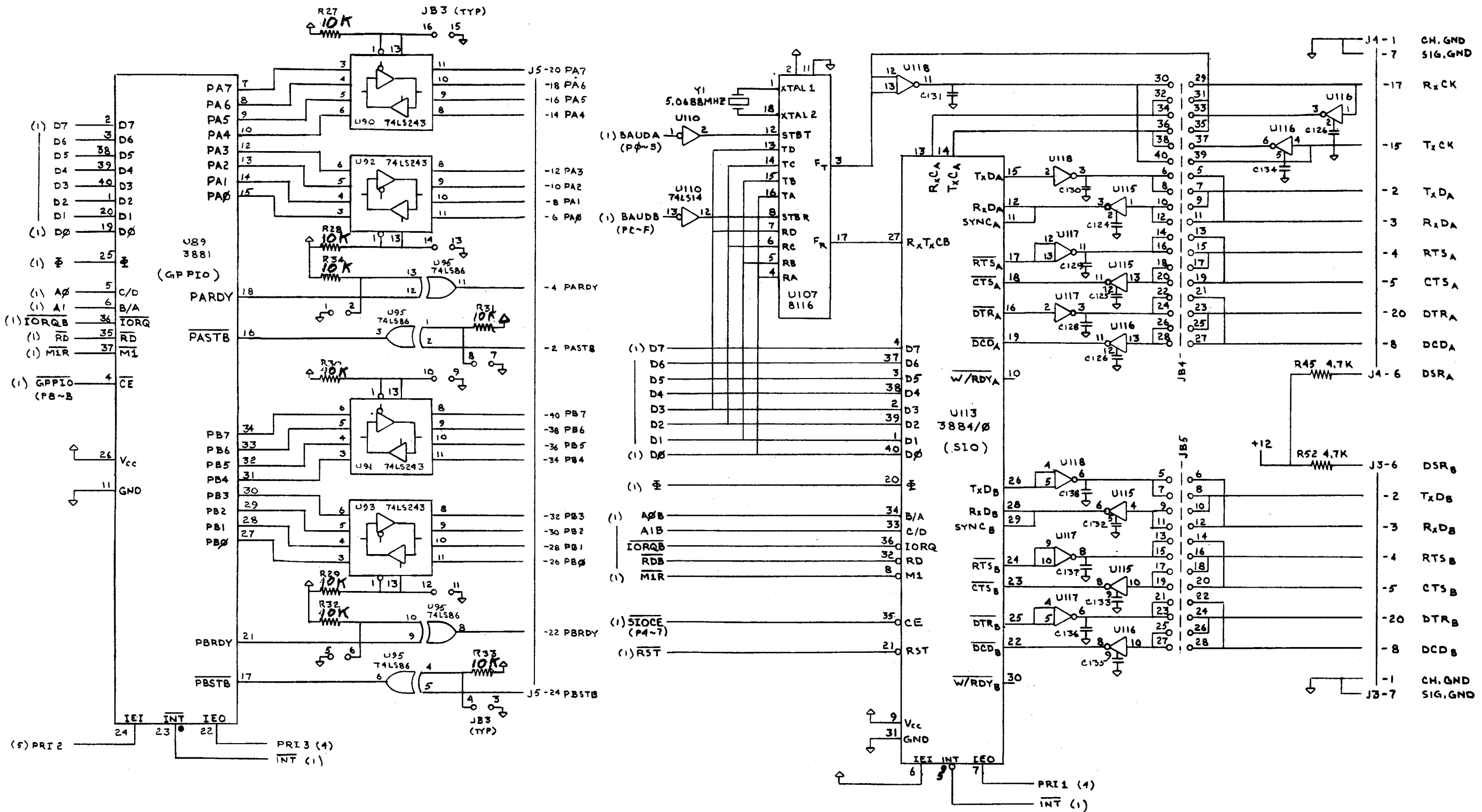
4116 POWER : PIN 1 : -5VDC  
 PIN 8 : +12VDC  
 PIN 9 : +5VDC  
 PIN 16 : GND

		RAM	



⚠ KBSTB/KBSTB SELECTABLE VIA PROPER JUMPING, JB6

FLOPPY CONT'L.P.	
KBD INPUT.	
CTC	



1. CAPS ON SIO IN/OUT DRIVERS: 390PF  
NOTE(S)

GPIO/SIO	