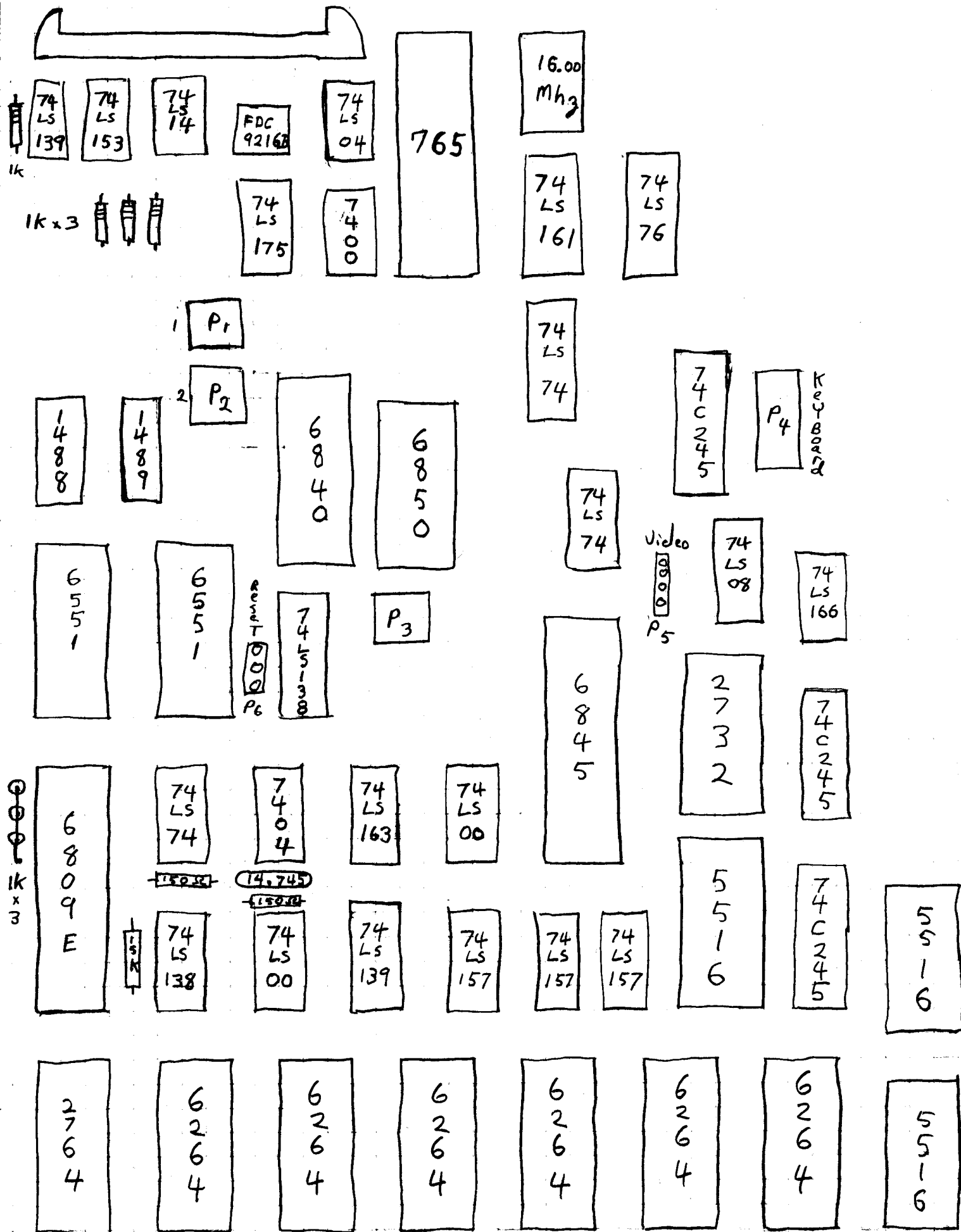


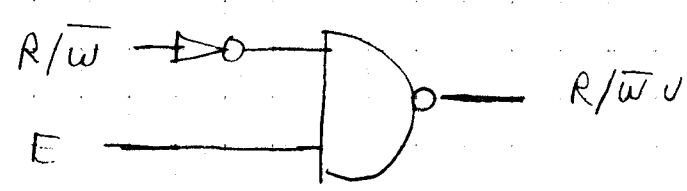
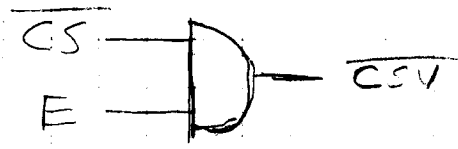
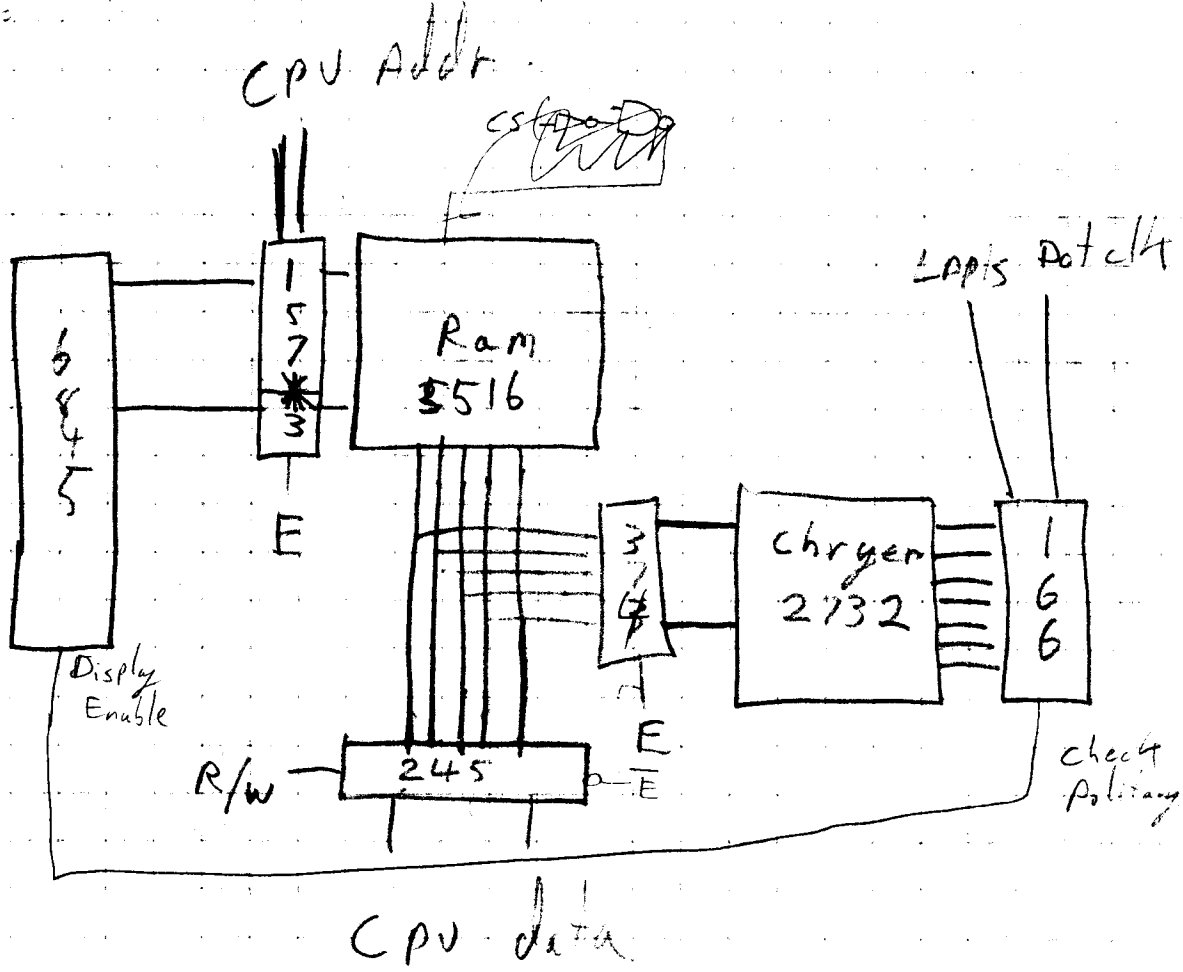
The following pages represent the only notes I have been able to locate pertaining to the construction of my 6809 portable computer.

Very few drawings and notes were made, as this machine was constructed pretty much directly from the databooks. Remarkably, it came to life with very little redesign or rework.

The first three pages are the sum total of the original material that I can find. The last three contain scans of general 6809 system design schematics that I made when I published the operating system.

Dunfield-1 - Component Layout





000

040

080

000

100

140

180

120

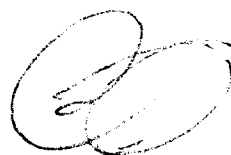
A000

B6 HH LL

20 FB

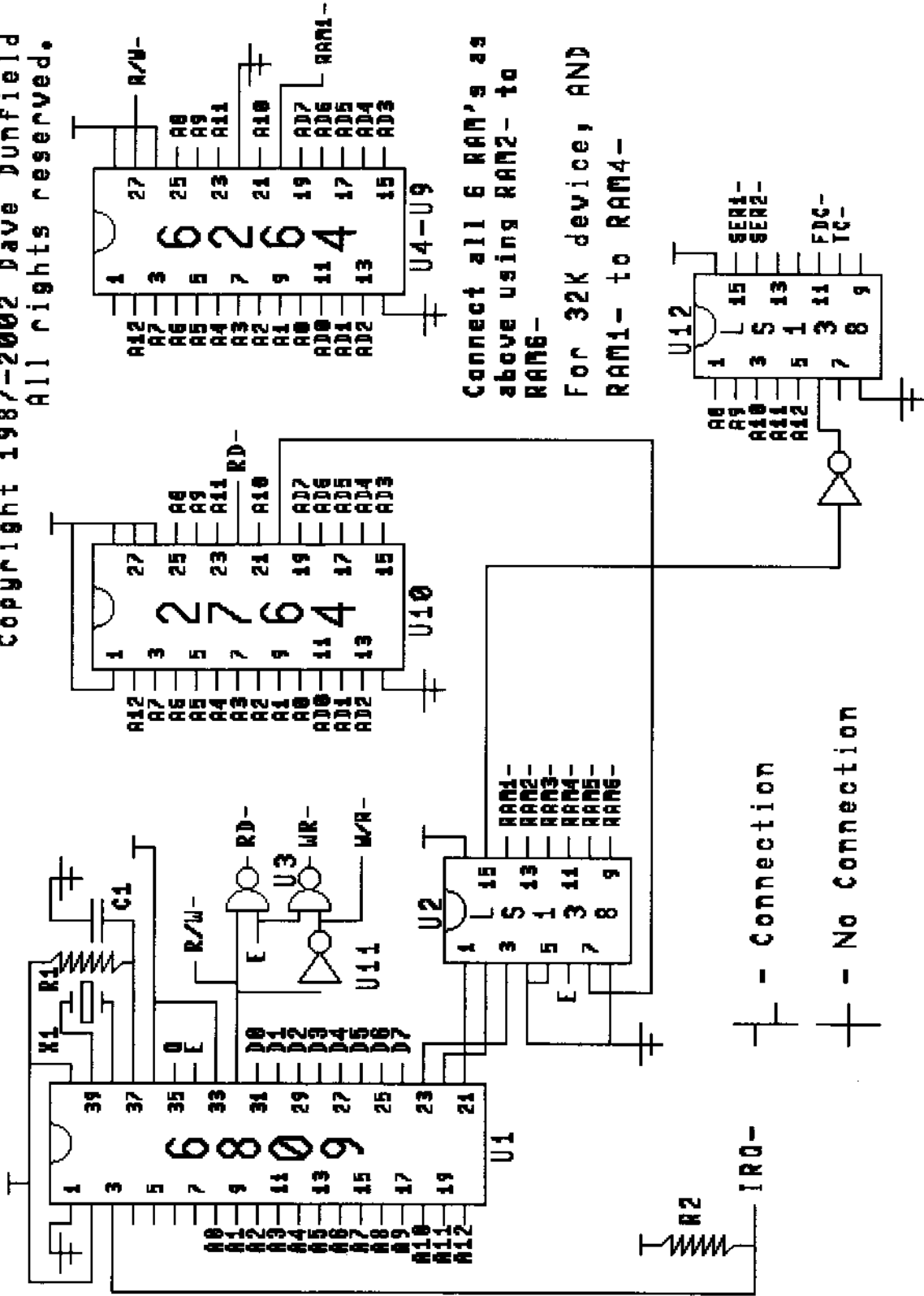
14.745

0000



6809 System - CPU Section

Copyright 1987-2002 Dave Dunfield
All rights reserved.

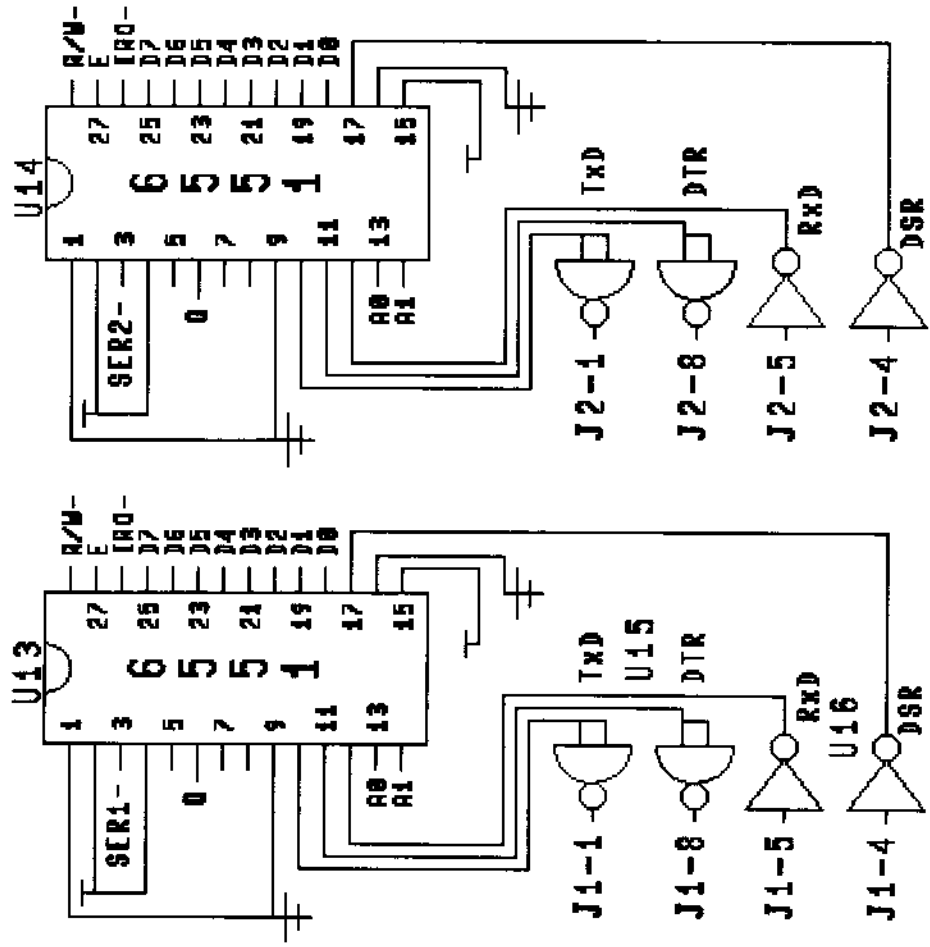


Connect all 6 RAM's as
above using RAM2- to
RAM6-
For 32K device, AND
RAM1- to RAM4-

6809 System - Serial Interfaces

Copyright 1987-2002 Dave Dunfield

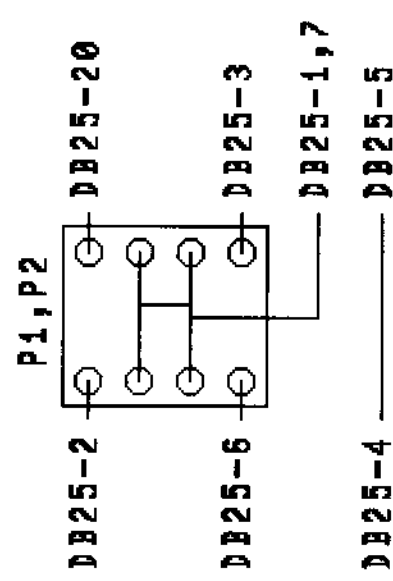
All rights reserved.



CONSOLE

AUX.

P1-2 to DB25 connections



Reverse insertion of P1, P2 for DTE/DCE selection.

6809 System - Floppy Disk Interface

Copyright 1987-2002 Dave Dunfield
All rights reserved.

