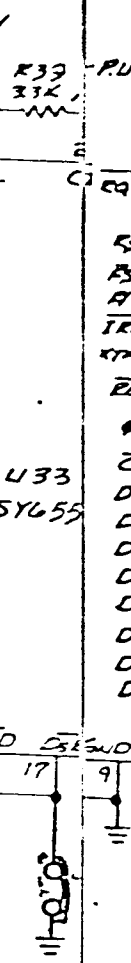
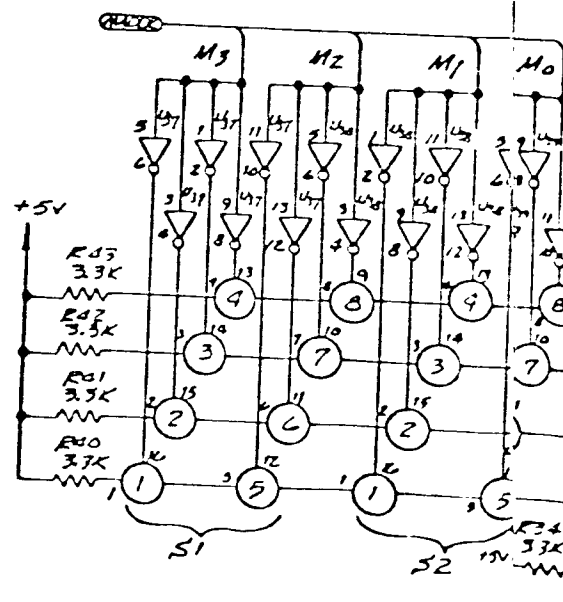
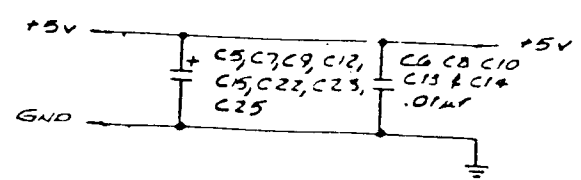
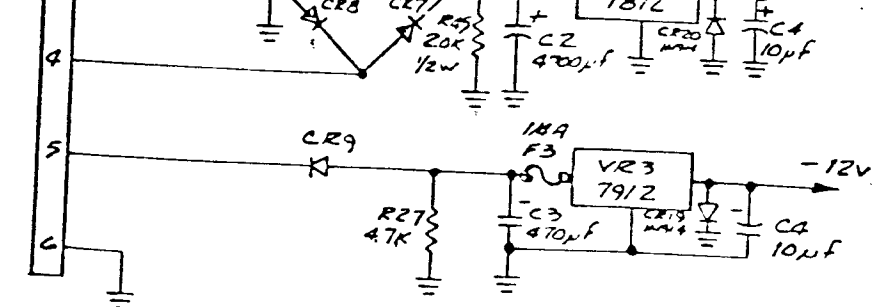
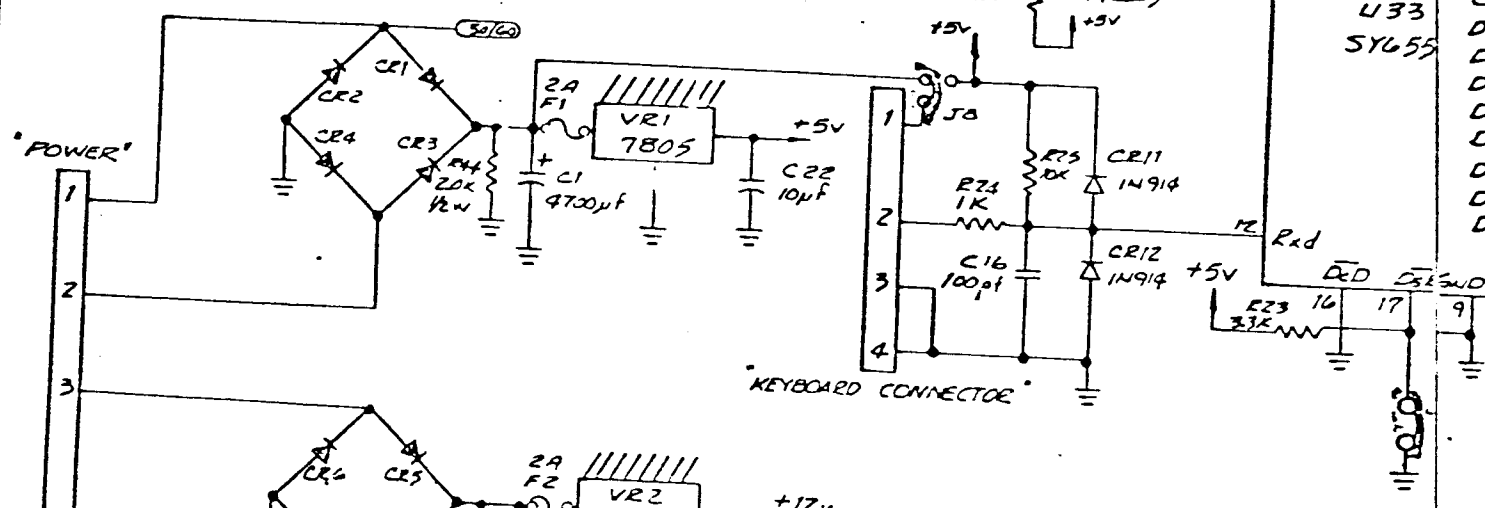
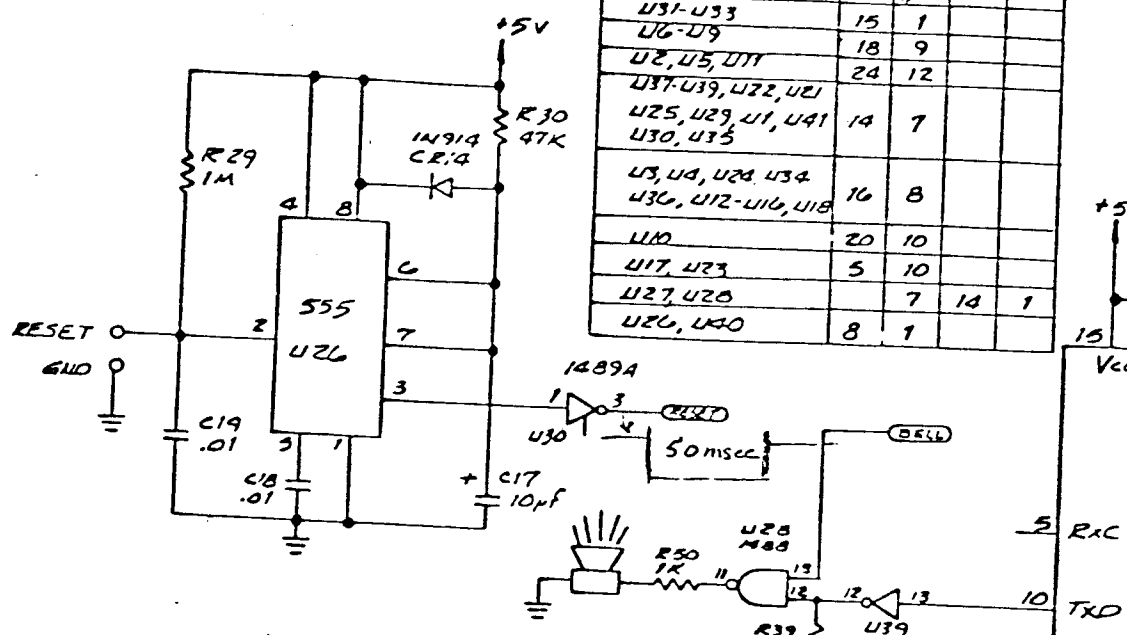
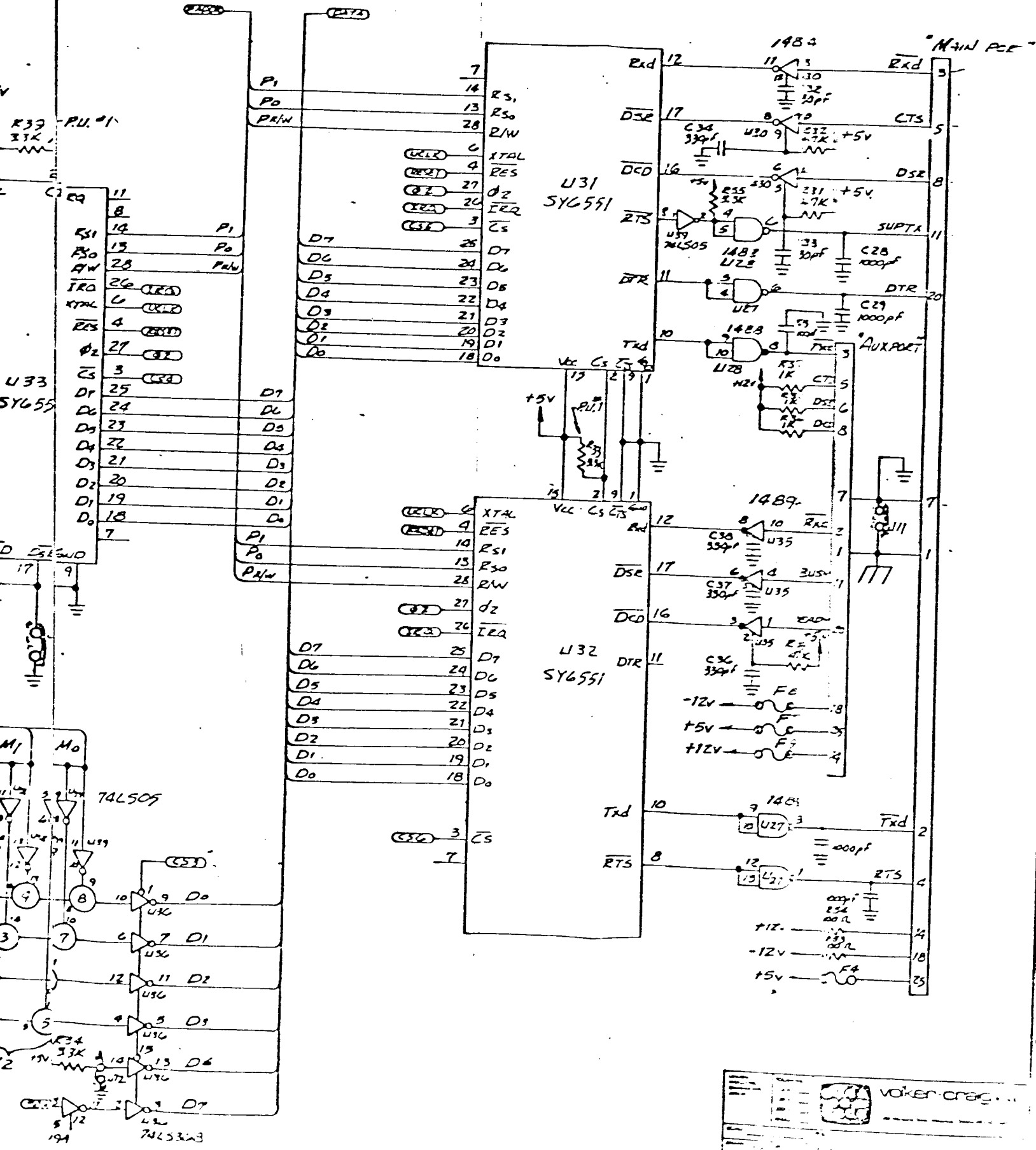
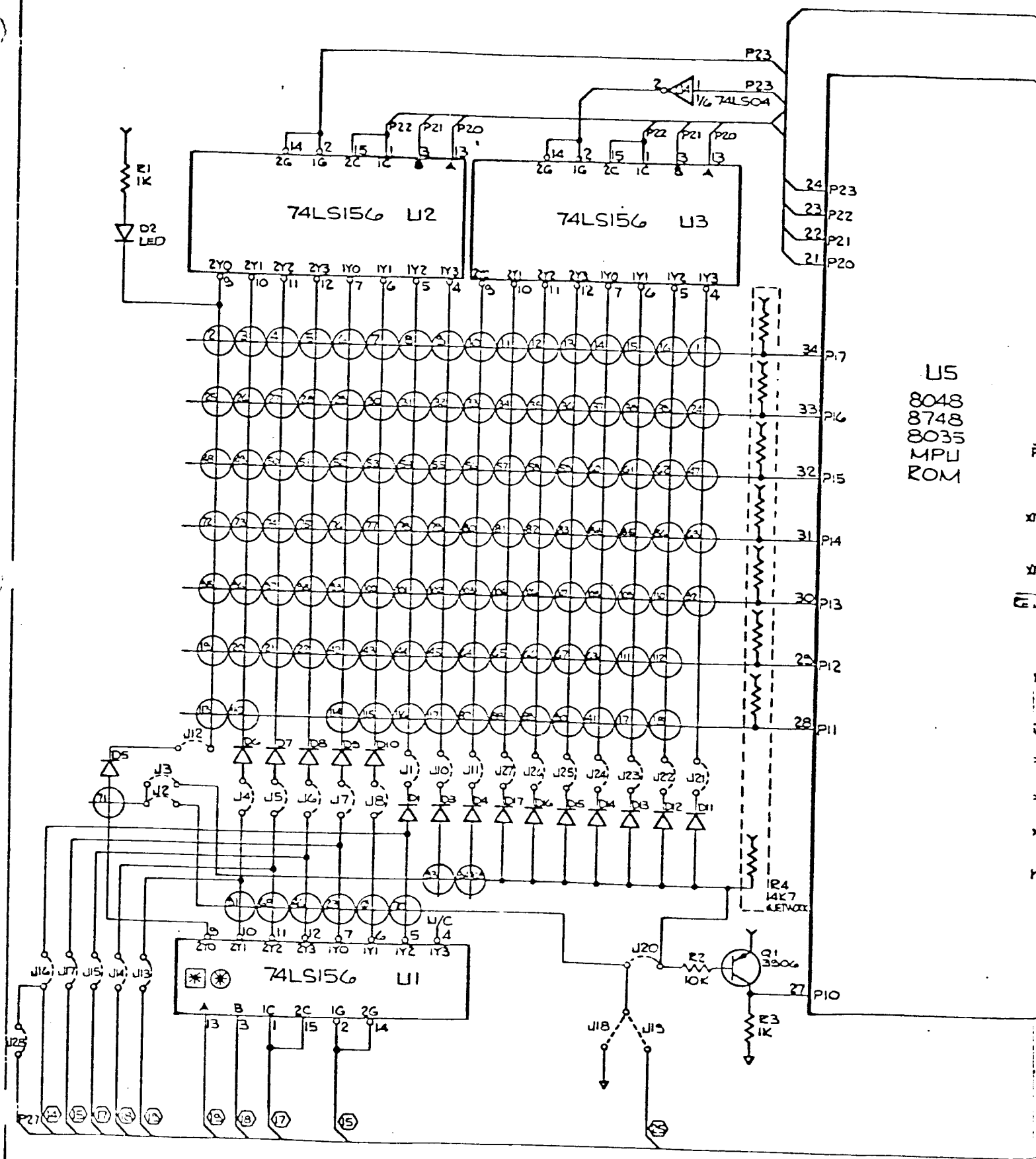


DEVICE	+5V	GND	+12V	-12V
U19, U20	8	1, 21		
U31-U33	15	1		
U6-U9	18	9		
U2, U5, U11	24	12		
U37-U39, U22, U21	14	7		
U25, U29, U1, U41	14	7		
U30, U35				
U3, U4, U24, U34	16	8		
U36, U12-U16, U18				
U10	20	10		
U17, U23	5	10		
U27, U28	7	14	1	
U26, U30	8	1		



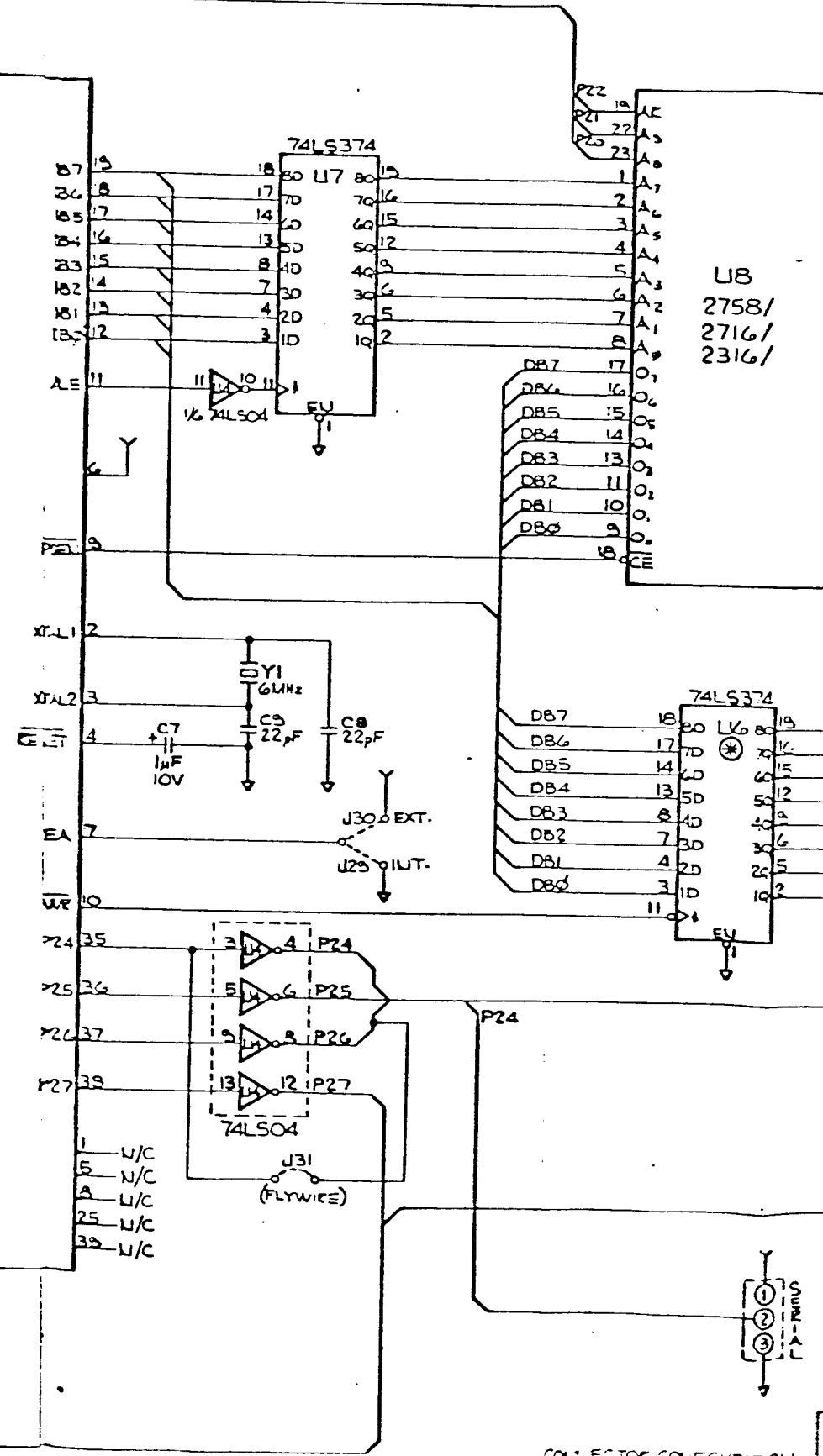




U5  
8048  
8748  
8035  
MPU  
ROM

ALL DIODES ARE 1N4148 UNLESS OTHERWISE SPECIFIED  
 \* NOT USED FOR 404 VERSION.  
 @ NOT USED FOR SERIAL VERSION.

REVISIONS			
REV	DESCRIPTION	DATE	BY
1	REDRAWN	03	2/11
2	ADDED SMT.2 RELEASED PER ER00	03	2/11
3	1U BYPASS CAPAC FOR CPU CHACT. C11 WAS C9, C12 WAS C11 ADDED NOTE ADDED 6MHz TO Y1 ADDED DIODE NOTE ER00264	03	2/11



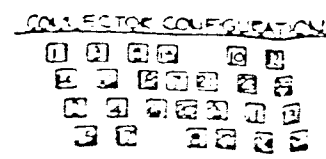
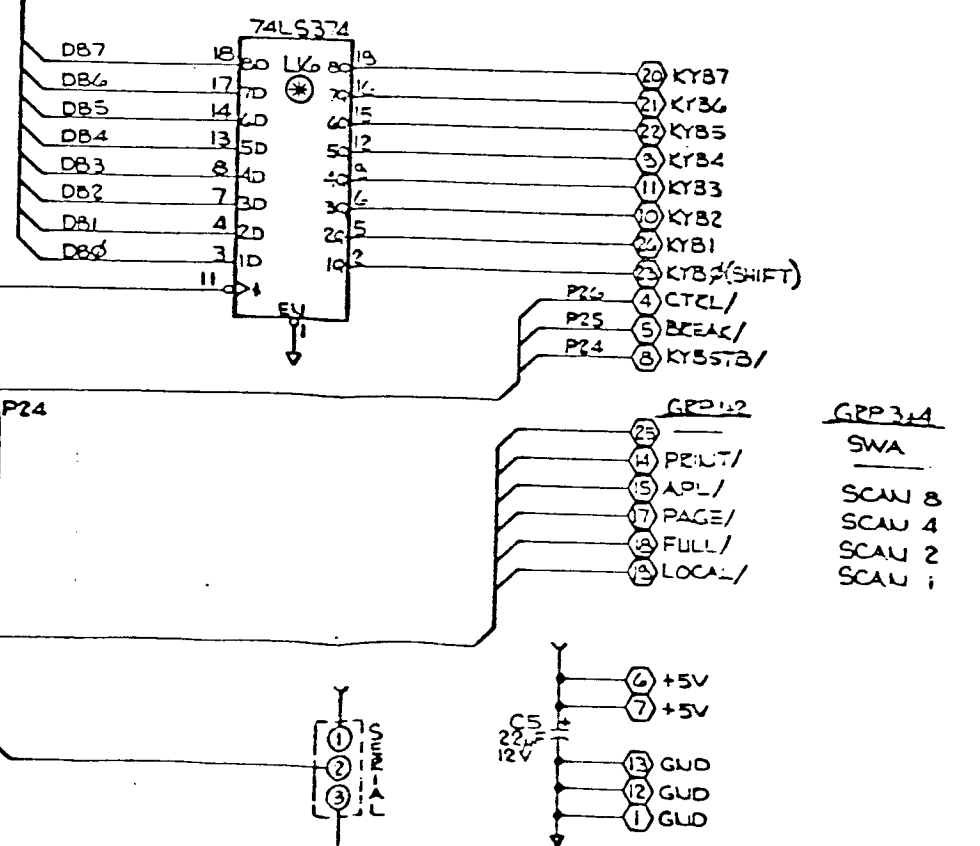
POWER & GROUND CONNECTIONS

I.C.	+5V	GROUND
U1	PIU 16	PIU 8
U2	PIU 16	PIU 8
U3	PIU 16	PIU 8
U4	PIU 14	PIU 7
U5	PIU 26, 20	PIU 20
U6	PIU 20	PIU 10
U7	PIU 20	PIU 10
U8	PIU 21, 24	PIU 12, 24

BYPASS CAPACITOR CONNECTIONS

CAPACITOR	+5V	GROUND
C1	U1-16	U1-8
C2	U2-16	U2-8
C3	U3-16	U3-8
C4	U4-14	U4-7
C6	U5-20	U5-20
C11	U6-20	U6-10
C10	U7-20	U7-10
C12	U8-24	U8-12

BYPASS CAPACITOR VALUE = 10n.



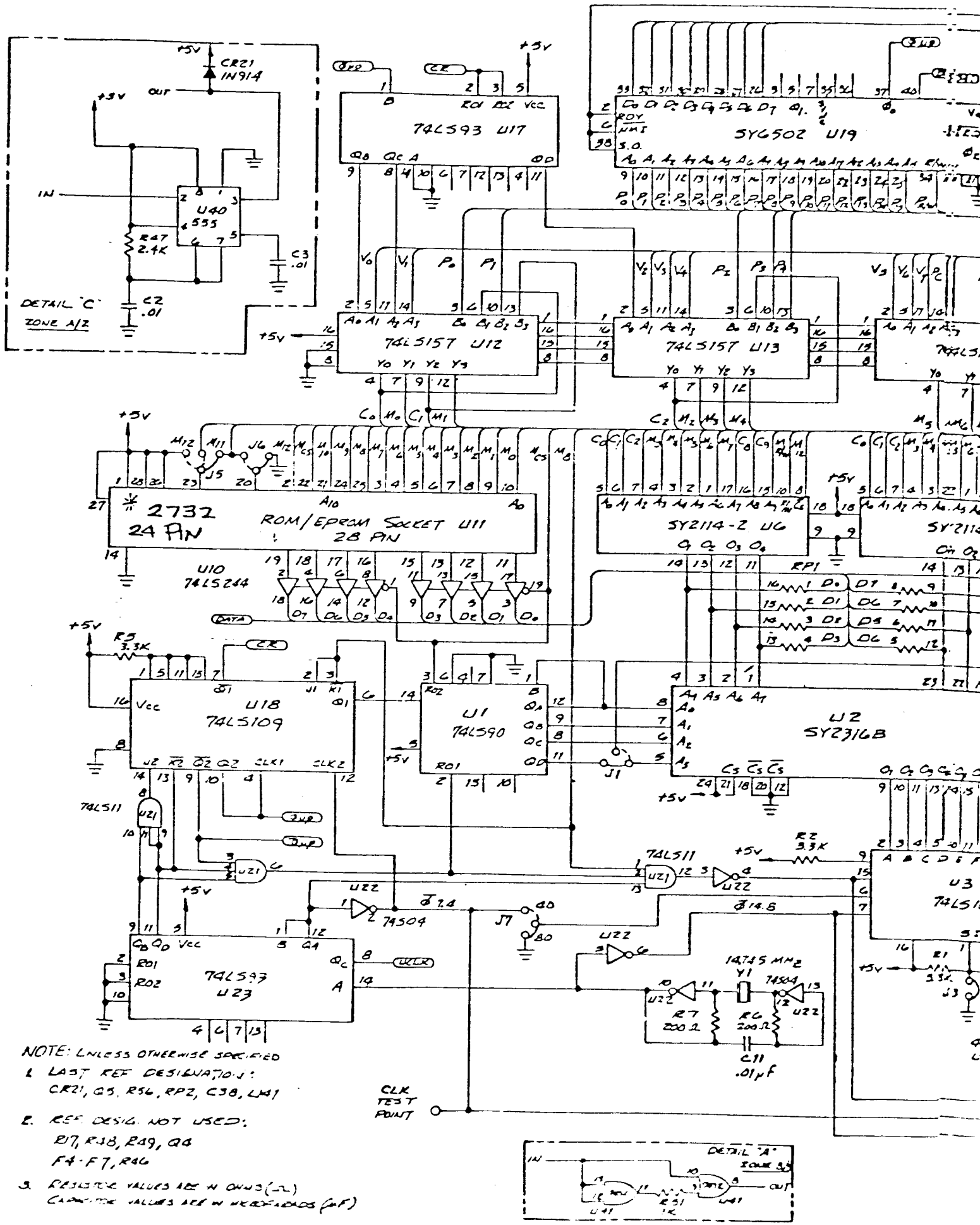
ASSY. LO. TS-250-00000

voiker-craig limited

DATE: 03/24/80

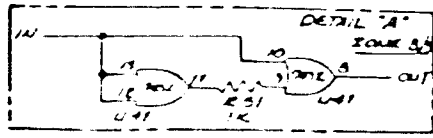
BY: [Signature]

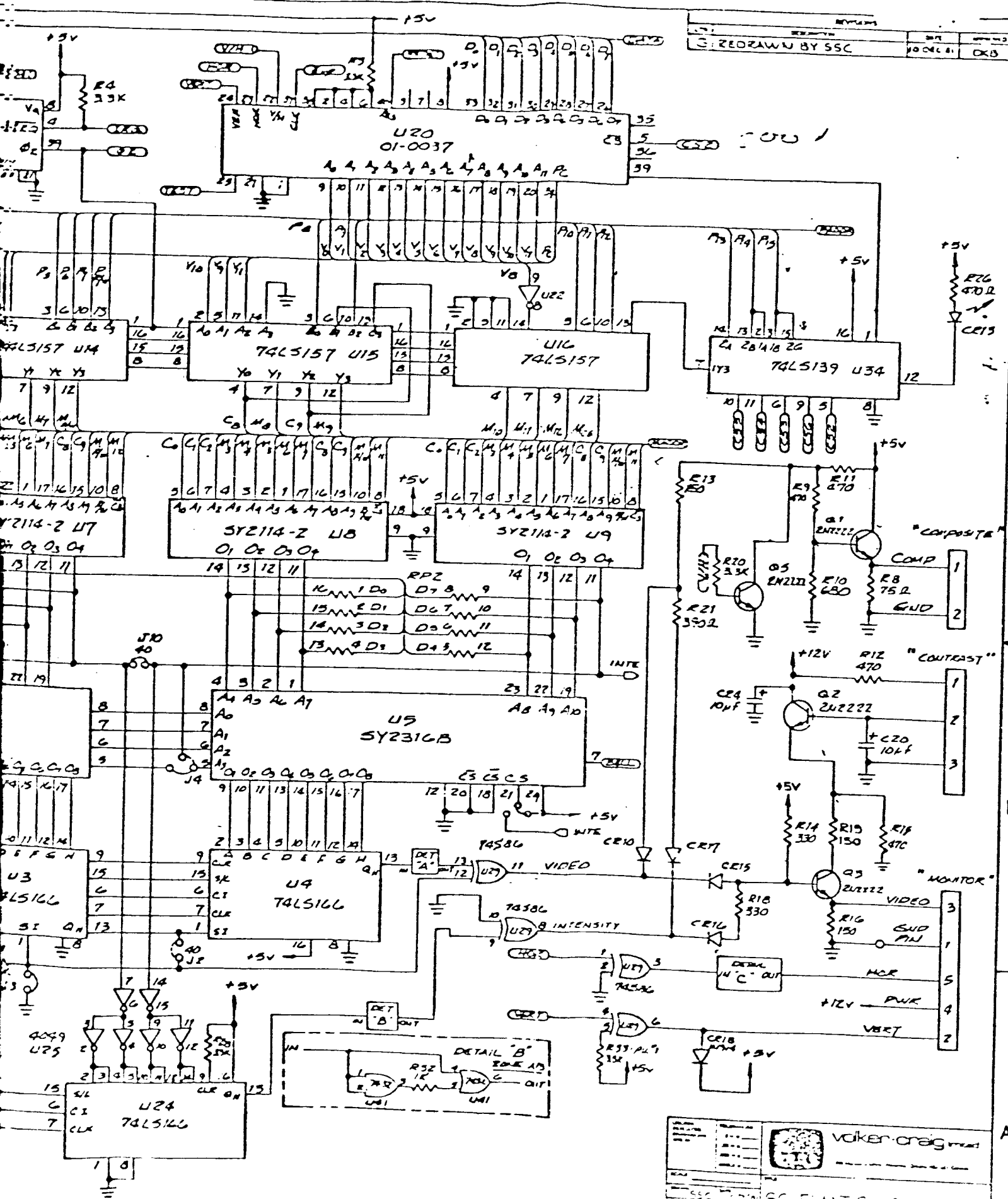
SCHEMATIC, SERIAL 001



NOTE: UNLESS OTHERWISE SPECIFIED

1. LAST REF DESIGNATIONS:  
CR21, Q5, R56, RP2, C38, LM1
2. REF. DESIG. NOT USED:  
R17, R18, R49, Q4  
F4-F7, R46
3. RESISTOR VALUES ARE IN OHMS (Ω)  
CAPACITOR VALUES ARE IN MICROFARADS (μF)





volker-craig

SCHMATIC LOG 080